

# Technical Details

## Model **CHRISTIE**



### Technical Information

Frame	Frame of pine wood and MDF
Seat Suspension	
Back Suspension	Webbing 80mm
Seat Foam	35kg foam on seat cushions+ fibre
Seat Firmness	Medium Foam (white) *
Back Cushions	Foam 30Kg + 400grs.
Loose Cushions	Fibre fibersilk 100%
Legs Options	Wooden feet/ Optional table
Colors	Natural, Cherry, Walnut, Wengue

### Guarantee

Frame	Lifetime guarantee
Seat Suspension	10 years
Rest of Pieces	2 years*

\*6-month guaranty extension by activating it on the web

Comments: \_\_\_\_\_ \* You would like to know more?  
Check the FAQs section in our website

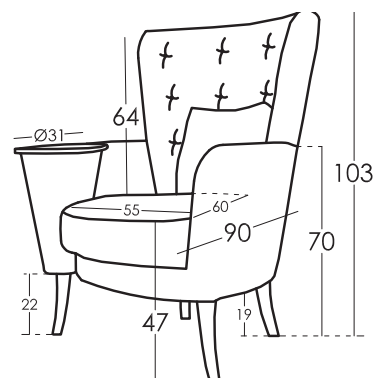
### Cushions Measures

Lumbar cushion 50X30

### Measures

Width	90 cm
Height	103 cm
Depth	90 cm
Seat Height	47 cm
Arm Height	70 cm
Back Height	64 cm
Depth when open	- cm
Net Weight	- kg
Gross Weight	- kg
Volume m3	- m3

### Scheme



### Packaging

Shrink wrapping plastic packaging with protective corner brackets

### Options



### Types of Standard Foam

Hardness: Soft Grey colour 35Kg	Hardness: Medium White colour 35Kg	Hardness: Hard Green colour 30Kg
---------------------------------------	--	--

### Types of Fire Retardant Foam

Hardness: Medium Grey colour 41Kg	Hardness: Soft White colour 36Kg
---	--

CHRISTIE is manufactured by Fama Sofás, whose quality system is certified by AENOR and IQNET, according to ISO 9001-2008, with certificate number ER 0790/1999. All models have passed the tests required for granting the quality control label from Aidima-Cetem laboratories.

\* You can request a different seat hardness from the standard of the model with a small price increase

