

## Model **MAGNO**



### Guarantee

Frame Lifetime guarantee

Seat Suspension 10 years

Rest of Pieces 2 years\*

\*6-month guaranty extension by activating it on the web

### Technical Information

Frame \_\_\_\_\_ Frame of pine wood and MDF

Seat Suspension \_\_\_\_\_

Back Suspension \_\_\_\_\_

Seat Foam \_\_\_\_\_ 30KG Foam on seat cushions + Fibre

Seat Firmness \_\_\_\_\_ **Hard Foam (green) \***

Back Cushions \_\_\_\_\_ Foam 35Kg + 150grs

Loose Cushions \_\_\_\_\_ Not included

Legs Options \_\_\_\_\_ Aluminium

Colors \_\_\_\_\_ With or without castors

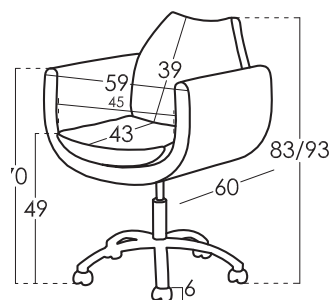
Comments: \_\_\_\_\_ \* You would like to know more?  
Check the FAQs section in our website

### Cushions Measures

### Measures

### Scheme

Width	59 cm
Height	83/93 cm
Depth	60 cm
Seat Height	69 cm
Arm Height	75 cm
Back Height	39 cm
Depth when open	- cm
Net Weight	18 kg
Gross Weight	19 kg
Volume m3	0,21 m3



### Packaging

Shrink wrapping plastic packaging with protective corner brackets

### Options



### Types of Standard Foam

Hardness: Soft: Grey colour 35Kg	Hardness: Medium: White colour 35Kg	Hardness: Hard: Green colour 30Kg
--	---	---

### Types of Fire Retardant Foam

Hardness: Medium: Grey colour 41Kg	Hardness: Soft: White colour 36Kg
--	---

\* You can request a different seat hardness from the standard of the model with a small price increase

MAGNO is manufactured by Fama Sofas, whose quality system is certified by AENOR and IQNET, according to ISO 9001-2008, with certificate number ER 0790/1999.

All models have passed the tests required for granting the quality control label from Aidima-Cetem laboratories.



Enjoy the new design  
made in  
Spain

fama