

## Model **ROME0**



### Guarantee

Frame Lifetime guarantee

Seat Suspension 10 years

Rest of Pieces 2 years\*

\*6-month guaranty extension by activating it on the web

### Technical Information

Frame	Frame of pine wood and MDF
Seat Suspension	N.E.A. 10 Years Guarantee
Back Suspension	Webbing 80mm
Seat Foam	30Kg foam on seat cushions + fibre
Seat Firmness	Medium Foam (white) *
Back Cushions	Fibre fibersilk 100%
Loose Cushions	
Legs Options	Swivel leg
Colors	Shiny

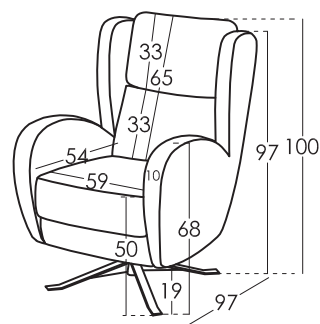
Comments: \* You would like to know more?  
Check the FAQs section in our website

### Cushions Measures

### Measures

### Scheme

Width	77 cm
Height	100 cm
Depth	97 cm
Seat Height	50 cm
Arm Height	68 cm
Back Height	65 cm
Depth when open	- cm
Net Weight	24 kg
Gross Weight	25 kg
Volume m3	0,52 m3



### Packaging

Shrink wrapping plastic packaging with protective corner brackets

### Options



### Types of Standard Foam

Hardness: Soft Grey colour 35Kg	Hardness: Medium White colour 35Kg	Hardness: Hard Green colour 30Kg
---------------------------------------	--	--

### Types of Fire Retardant Foam

Hardness: Medium Grey colour 41Kg	Hardness: Soft White colour 36Kg
---	--

\* You can request a different seat hardness from the standard of the model with a small price increase

ROME0 is manufactured by Fama Sofas, whose quality system is certified by AENOR and IQNET, according to ISO 9001-2008, with certificate number ER 0790/1999.

All models have passed the tests required for granting the quality control label from Aidima-Cetem laboratories.



# fama