

## Model **VOLTA**



### Guarantee

Frame Lifetime guarantee

Seat Suspension 10 years

Rest of Pieces 2 years\*

\*6-month guaranty extension by activating it on the web

### Technical Information

Frame	Frame of pine wood and MDF
Seat Suspension	N.E.A. 10 Years Guarantee
Back Suspension	Webbing 80mm
Seat Foam	35Kg foam on seat cushions + fibre
Seat Firmness	Medium Foam (white) *
Back Cushions	Fibre fibersilk 100%
Loose Cushions	Fibre fibersilk 100%
Legs Options	Wooden feet
Colors	Natural, cherry, walnut, wengue, black, pearl

Comments: \* You would like to know more?  
Check the FAQs section in our website

### Cushions Measures

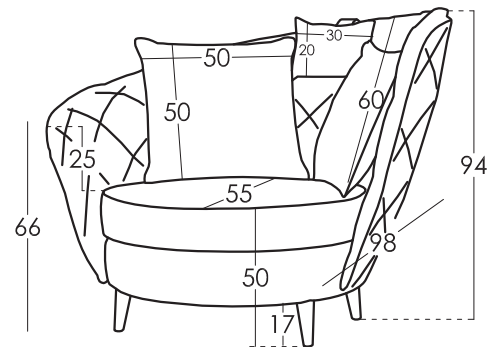
Large cushion 50x50

Butterfly cushion 30x20

### Measures

Width	111 cm
Height	94 cm
Depth	98 cm
Seat Height	50 cm
Arm Height	- cm
Back Height	64/94 cm
Depth when open	- cm
Net Weight	40,5 kg
Gross Weight	40,5 kg
Volume m3	1,1 m3

### Scheme



### Packaging

Shrink wrapping plastic packaging with protective corner brackets

### Options



### Types of Standard Foam

Hardness: Soft: Grey colour 35Kg	Hardness: Medium: White colour 35Kg	Hardness: Hard: Green colour 30Kg
--	---	---

### Types of Fire Retardant Foam

Hardness: Medium: Grey colour 41Kg	Hardness: Soft: White colour 36Kg
--	---

\* You can request a different seat hardness from the standard of the model with a small price increase

VOLTA is manufactured by Fama Sofas, whose quality system is certified by AENOR and IQNET, according to ISO 9001-2008, with certificate number ER 0790/1999.

All models have passed the tests required for granting the quality control label from Aidima-Cetem laboratories.



# fama