

## Model **ZOE**



### Guarantee

Frame Lifetime guarantee

Seat Suspension 10 years

Rest of Pieces 2 years\*

\*6-month guaranty extension by activating it on the web

### Technical Information

Frame \_\_\_\_\_ Frame of pine wood and MDF

Seat Suspension \_\_\_\_\_ N.E.A. 10 Years Guarantee

Back Suspension \_\_\_\_\_

Seat Foam \_\_\_\_\_ Polyurethane 35kg+fibre

Seat Firmness \_\_\_\_\_ Medium Foam (white) \*

Back Cushions \_\_\_\_\_ Fibre fibersilk 100%

Loose Cushions \_\_\_\_\_ Fibre fibersilk 70% + Feather 30%

Legs Options \_\_\_\_\_ Black Wooden Legs / Swivel

Colors \_\_\_\_\_

Comments: \_\_\_\_\_ \* You would like to know more?  
Check the FAQs section in our website

### Cushions Measures

Corner back 62x50

Butterfly headrest 47x27

Arm cushion 54x43

Magic swing 40x26

### Measures

Width 120 cm

Height 80 cm

Depth 110 cm

Seat Height 33 cm

Arm Height - cm

Back Height 50 cm

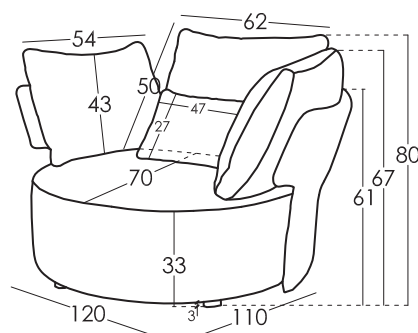
Depth when open 61 cm

Net Weight - kg

Gross Weight - kg

Volume m3 - m3

### Scheme



### Packaging

Shrink wrapping plastic packaging with protective corner brackets

### Options



### Types of Standard Foam

Hardness: Soft: Grey colour 35Kg	Hardness: Medium: White colour 35Kg	Hardness: Hard: Green colour 30Kg
--	---	---

### Types of Fire Retardant Foam

Hardness: Medium: Grey colour 41Kg	Hardness: Soft: White colour 36Kg
--	---

\* You can request a different seat hardness from the standard of the model with a small price increase

ZOE is manufactured by Fama Sofás, whose quality system is certified by AENOR and IQNET, according to ISO 9001-2008, with certificate number ER 0790/1999.

All models have passed the tests required for granting the quality control label from Aidima-Cetem laboratories.



# fama